


# Download Ebook Super T 10 4 Speed Richmond Gear


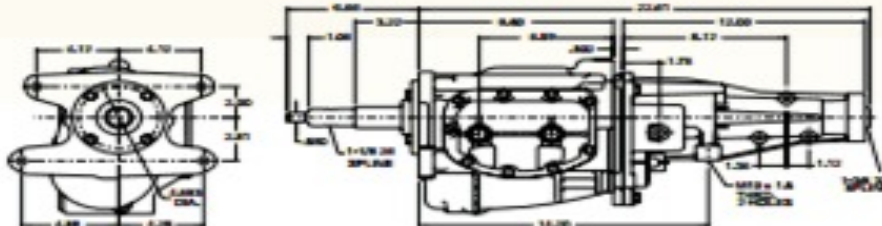


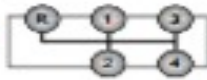
## Transmissions

### Super T-10 4-Speed

**Dimensions**  
Available in G.M. Applications only.

The Richmond Super T-10 is a four speed countershaft helical gear transmission synchronized in all forward gears. First and reverse are constant mesh to prevent gear clash. Strut-type synchronizers are provided for longer life and easier shifting. The T-10 is used in applications for performance type automobiles and light trucks. The Richmond Super T-10 is the NASCAR standard.

Shift Pattern: 

**GENERAL SPECIFICATIONS**

| PART NO.   | DESCRIPTION     | 1ST  | 2ND  | 3RD  | 4TH  | REV. | TORQUE       |
|------------|-----------------|------|------|------|------|------|--------------|
| 1304000070 | 2.43 "S" Ratio  | 2.43 | 1.81 | 1.23 | 1.00 | 2.35 | 375 Ft. Lbs. |
| 1304000069 | 2.64 "W" Ratio  | 2.64 | 1.75 | 1.34 | 1.00 | 2.55 | 325 Ft. Lbs. |
| 7021090    | 2.64 "X" Ratio  | 2.64 | 1.80 | 1.23 | 1.00 | 2.55 | 325 Ft. Lbs. |
| 1304000072 | 2.88 "CC" Ratio | 2.88 | 1.91 | 1.33 | 1.00 | 2.78 | 300 Ft. Lbs. |

Center Distance: 3.25 Inches


Oil Capacity: 2.4 U.S. Pints

Approximate Dry Weight: 70 Lbs.


Case & Extension Housing: Aluminum

Controls: Side Lever

Use RICHMOND  
Transmission Lubricant  
Pan # TLUBC (pg. 124)



Performance Matched For  
WINNERS!



Always in stock at your local RICHMOND distributor

Phone: 864-843-9231 • Fax: 864-843-2964 • [www.richmondgear.com](http://www.richmondgear.com) 63

Read Book Online:



## Super T 10 4 Speed Richmond Gear

Download or read online ebook super t 10 4 speed richmond gear in any format for any devices.

**Super T 10 4 Speed Richmond Gear** - Are you looking for ebook super t 10 4 speed richmond gear? You will be glad to know that right now super t 10 4 speed richmond gear is available on our online library. With our online resources, you can find super t 10 4 speed richmond gear easily without hassle, since there are more than millions titles available in our ebook databases.

We have made it easy for you to find a PDF Ebooks without any digging. And by having access to our ebooks online or by storing it on your computer, you have convenient answers with super t 10 4 speed richmond gear. To get started finding super t 10 4 speed

richmond gear, you are right to find our website which has a comprehensive collection of book listed.

Download super t 10 4 speed richmond gear book are very easy, you just need to subscribe to our book vendor, fill the registration form and the digital book copy will present to you. Our reader mostly like to read super t 10 4 speed richmond gear book in PDF / ePub / Kindle format. share super t 10 4 speed richmond gear book to your friend if you like this amazing book.

Super T 10 4 Speed Richmond Gear reading book online also nice conclusion after you had successfully register to our book vendor. Our online book provider presenting super t 10 4 speed richmond gear book in high quality options. For mobile user reading book super t 10 4 speed richmond gear online will be exciting experience because you can read this book anywhere and anytime.

We are expecting you are really enjoying reading super t 10 4 speed richmond gear book using wonderful book reader which presenting by our book provider.

## Related Book To Super T 10 4 Speed Richmond Gear

---



### Manual Transmissions 2 3 4 5 6 Speed Richmond Gear

Read online manual transmissions 2 3 4 5 6 speed richmond gear now available in our site. Free download manual transmissions 2 3 4 5 6 speed richmond gear also accesible right now.



### Richmond Gear

Read online richmond gear now available in our site. Free download richmond gear also accesible right now.



### Transmissions Richmond Gear

Read online transmissions richmond gear now available in our site. Free download transmissions richmond gear also accesible right now.





## Owner Manual Richmond Gear

Read online owner manual richmond gear now available in our site. Free download owner manual richmond gear also accesible right now.

[+ READ ONLINE](#)



## Transmission Installation Manual Pdf Richmond Gear

Read online transmission installation manual pdf richmond gear now available in our site. Free download transmission installation manual pdf richmond gear also accesible right now.

[+ READ ONLINE](#)



## Richmond Main Catalog Manual Transmissions 2 3 4 5 6 Speed

Read online richmond main catalog manual transmissions 2 3 4 5 6 speed now available in our site. Free download richmond main catalog manual transmissions 2 3 4 5 6 speed also accesible right now.

[+ READ ONLINE](#)



## Pdf Richmond 5 Speed Service Manual Water Life Magazine

Read online pdf richmond 5 speed service manual water life magazine now available in our site. Free download pdf richmond 5 speed service manual water life magazine also accesible right now.

[+ READ ONLINE](#)



## Zf 6 Speed Transmissions Rockland Standard Gear

Read online zf 6 speed transmissions rockland standard gear now available in our site. Free download zf 6 speed transmissions rockland standard gear also accesible right now.

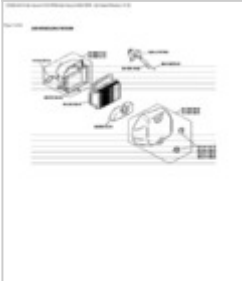
[+ READ ONLINE](#)



## 6 Speed Transmission Super Kit Harley Davidson

Read online 6 speed transmission super kit harley davidson now available in our site. Free download 6 speed transmission super kit harley davidson also accesible right now.

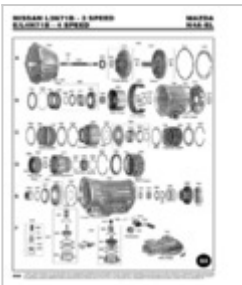
[+ READ ONLINE](#)



## Sv600 0018 Idle Speed 2150 Rpm High Speed Oscar Wilson

Read online sv600 0018 idle speed 2150 rpm high speed oscar wilson now available in our site. Free download sv600 0018 idle speed 2150 rpm high speed oscar wilson also accesible right now.

[+ READ ONLINE](#)



## Nissan L3n71b 3 Speed E L4n71b 4 Speed Mazda N4a El

Read online nissan l3n71b 3 speed e l4n71b 4 speed mazda n4a el now available in our site. Free download nissan l3n71b 3 speed e l4n71b 4 speed mazda n4a el also accesible right now.

[+ READ ONLINE](#)



## Toontrack Electronic Ezx Gear List This Is A List Of The Gear

Read online toontrack electronic ezx gear list this is a list of the gear now available in our site. Free download toontrack electronic ezx gear list this is a list of the gear also accesible right now.

[+ READ ONLINE](#)



## Speedometer Gear Odometer Repair Odometer Gear

Read online speedometer gear odometer repair odometer gear now available in our site. Free download speedometer gear odometer repair odometer gear also accesible right now.

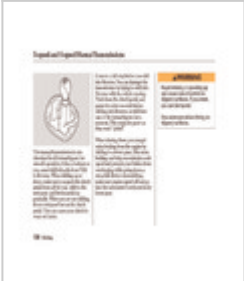
[+ READ ONLINE](#)



## Backhoe Loaders 580 Super R Series 3 580 Super R

Read online backhoe loaders 580 super r series 3 580 super r now available in our site. Free download backhoe loaders 580 super r series 3 580 super r also accesible right now.

[+ READ ONLINE](#)



## 5 Speed And 6 Speed Manual Transmissions

Read online 5 speed and 6 speed manual transmissions now available in our site. Free download 5 speed and 6 speed manual transmissions also accesible right now.

[+ READ ONLINE](#)